

SONIC 400

Hot electric racer model 400 class



Parts included in kit:

Fuselage- painted and laminated in the mould. One piece glass design.

Wing- one piece glass-balsa-glass sandwich design. Painted and laminated in the mould. It has carbon spars. Ailerons are completely ready with installed pushrods.

Stabilizer-glass-balsa-glass sandwich design. Painted and laminated in the mould.

Accessories-elevator pushrod, screws. Elevator push rod guide x 2 (plywood) motor mount.

ACCESSORIES REQUIRED TO COMPLETE:

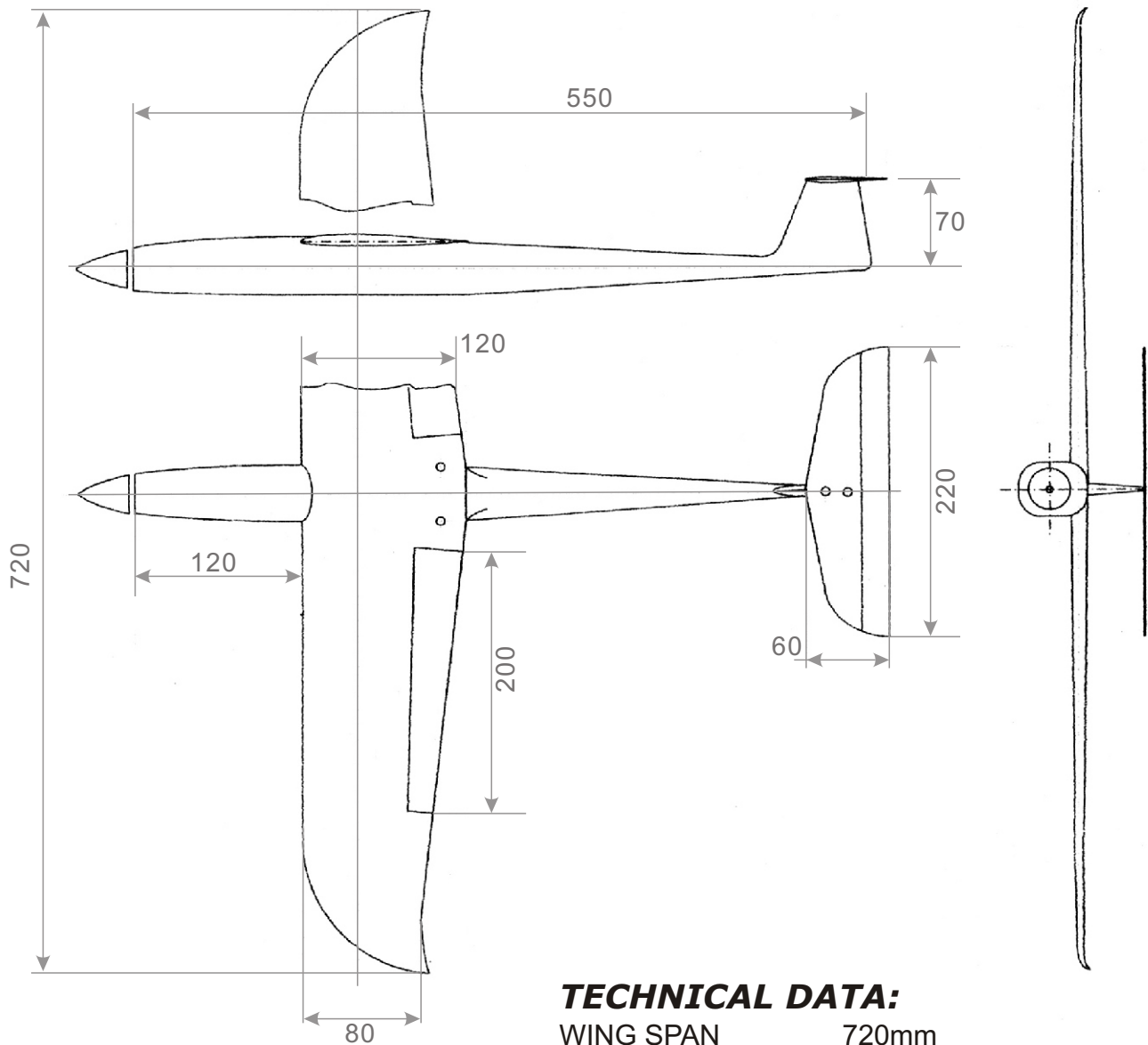
BRUSHLESS MOTOR KV:3500~4200

ESC 25A [#9515]

30MM SPINNER

4.7×4.7 FOLDING PROPELLER

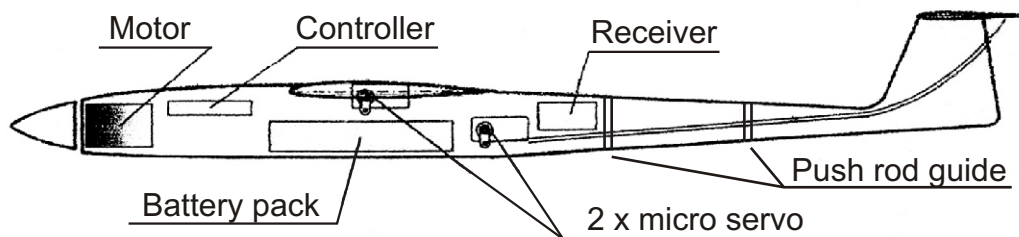
SERVO×3PCS. [#5160×2]



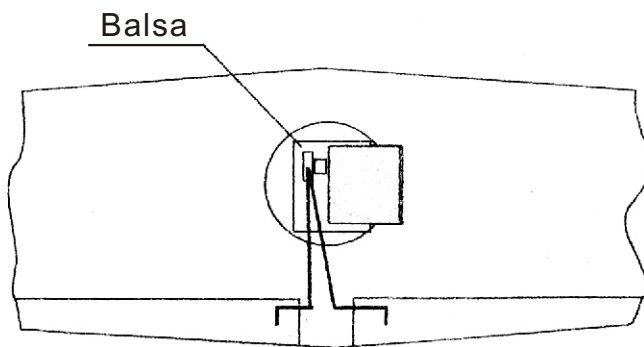
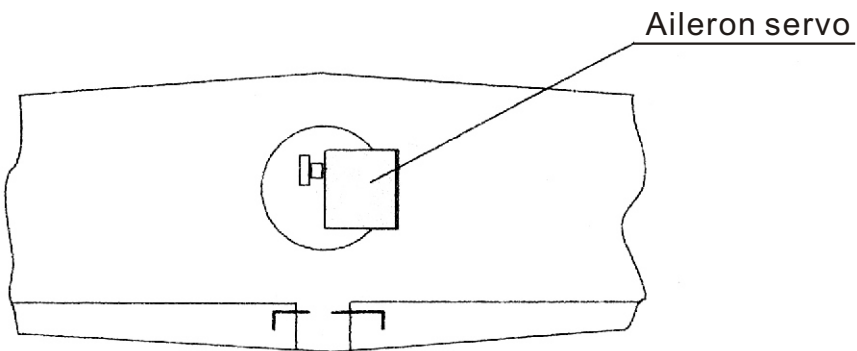
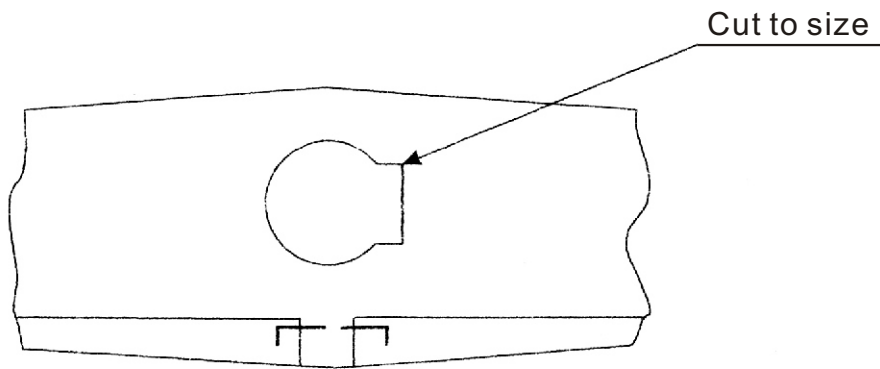
TECHNICAL DATA:

WING SPAN	720mm
WING AREA	7.1 dm ²
LENGTH	550mm
AIRFOIL	MH-43
WEIGHT(NO R/C)	120g.

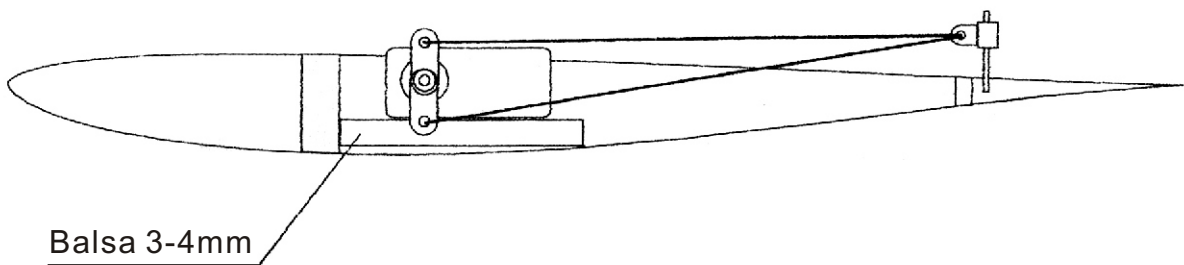
EQUIPMENT INSTALLATION:



Aileron servo mount.

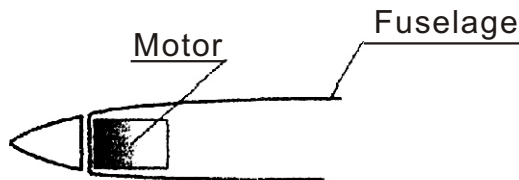


Glue servo with silicone.

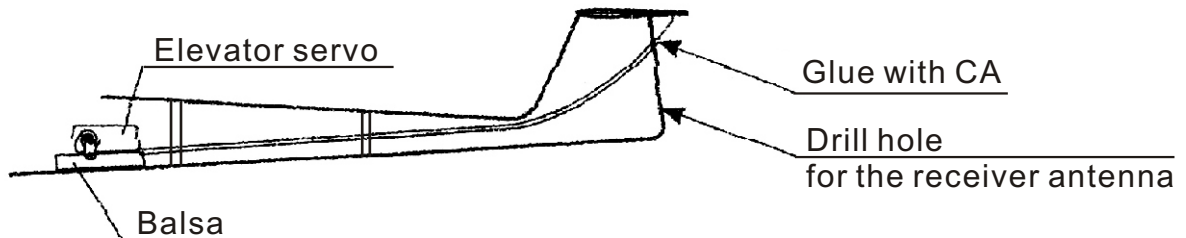


Motor mount.

Trim from of fuselage to line. Attach Motor mount to a motor with 2, 6 x 6 mm screws. Slide motor and mount into the nose of fuselage through the wing seat opening. Use a 30mm spinner on the motor Glue motor mount by epoxy.



Elevator Linkage.



Center of Gravity

The center of gravity of the model is 10-15mm back from the wing leading edge.

You can adjust the center of gravity by changing battery location in fuselage.



Recommended Control Throws:

Ailerons	+2,5 -3mm (up)
	-2mm (down)
Elevator	+2,5 -3mm (up)
	-2mm (down)